

ALFRED TEVES BRAKE SYSTEMS (PTY) LTD

TECHNICAL BULLETIN

16 January 2023

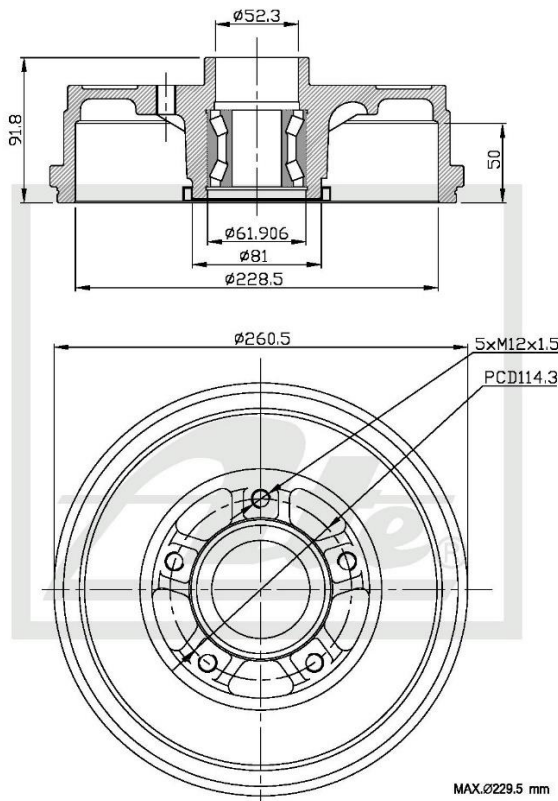
222.0003



(ATE and Teves are registered trademarks of Continental Teves AG & Co oHG and/or its affiliates in Frankfurt Germany and other Countries)

NEW PART NUMBER

Drawing



Details of New Part

Brake Drum – Rear

Product Dimensions

Outer Diameter – 260.5mm

Inner Diameter – 228.5mm

Height – 91.8mm

PCD – 114.3mm

Spigot – 52.3mm

Package Dimensions

Weight – 6000g

L – 299.02mm

W – 289.70mm

H – 77.04mm

Barcode



222.0003

Vehicle Applications

RENAULT DUSTER I (HS_) 1.5 dCi (2013-2018); RENAULT DUSTER I (HS_) 1.6 16V (2015-).

Front

Position

Rear



CALL NOW TO ORDER YOUR STOCK!!!

(011) 898 1800

Picture(s) of the vehicle(s) that this part is suitable for



www.ate.co.za

"Single Minded about YOUR Safety"